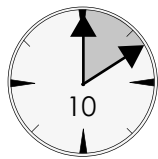
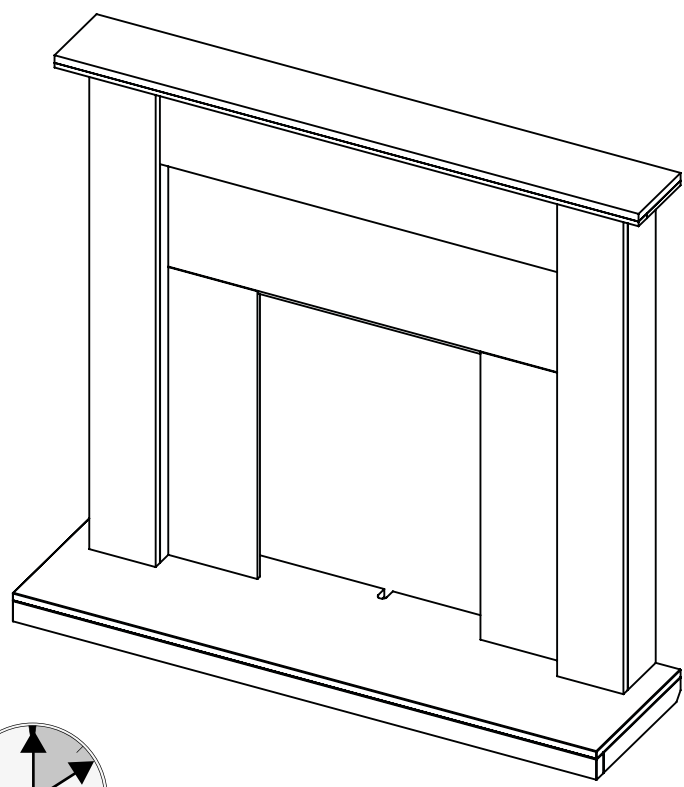


PART ASSEMBLED SURROUND

Suitable for bio ethanol and electric fires only



www.firedupcorporation.com/manual

Read ALL the instructions before use.

These instructions are for your safety. Please read through them thoroughly before use and retain for future reference. Failure to follow them could cause injury and/or property damage.

CONTENTS

SECTION 01

Cautions	03
Introduction	04
Handling	04
Unpacking	04

SECTION 02

Tools required	05
Identification	05
Fixings pack	05
Parts supplied	06

SECTION 03

Cam Dowels and Cam Locks	07
Assembly	07-11
Installation	12
Care and Maintenance	13
Guarantee	16
Contacts	16

CAUTIONS

DO'S

- Read **ALL** the instructions before using this product.

- Always install the product in accordance with this guide. If in doubt obtain expert advice.

- Always ensure the product is assembled in an area that is free from dust, grease, or liquids.

- Always ensure that the correct tools are used to assemble this product.

- Always make sure the product is firmly secured to the wall when complete.

DON'TS

- Never install or use this product anywhere where water is in use, i.e. Bathrooms, Kitchens, Laundry Rooms, Shower Rooms, Swimming Pools etc.

- Never use aerosols or steam cleaners on or around the product.

- Never install the product close to curtains or combustible materials.

- Never sit or stand or put weight on the product.

- Never lean or put weight on the product.

- Do not use or store outdoors.

INTRODUCTION

Thank you for choosing this product. The product is designed to meet the most stringent quality, performance, and safety requirements. This guide aims to improve your understanding and appreciation of your new fire surround by providing simple and informative assembly instructions.

HANDLING

Before continuing any further with the installation of this product please read the following:

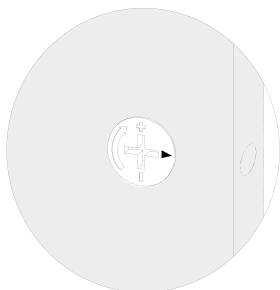
- When lifting always keep your back straight. Bend your legs and not your back.
- Avoid twisting at the waist; it is better to reposition your feet.
- Avoid upper body / top heavy bending. Always bend from the knees rather than the waist.
- Do not lean forward or sideways whilst handling the fireplace suite.
- Always grip with the palm of the hand; do not use the tips of fingers for support.
- Always keep the product as close to the body as possible; this will prevent unnecessary and undue strain on the body.
- Use gloves to provide additional grip.
- Always use assistance if required.

UNPACKING

The unit is supplied in a single package carton. Carefully unpack the product using the following procedure:

- Carefully lift the parts out of the box
- Carefully remove the protective wrapping from the parts
- Locate the fixing pack and put aside

THIS SURROUND IS ONLY SUITABLE FOR USE WITH ELECTRIC FIRES



IMPORTANT :

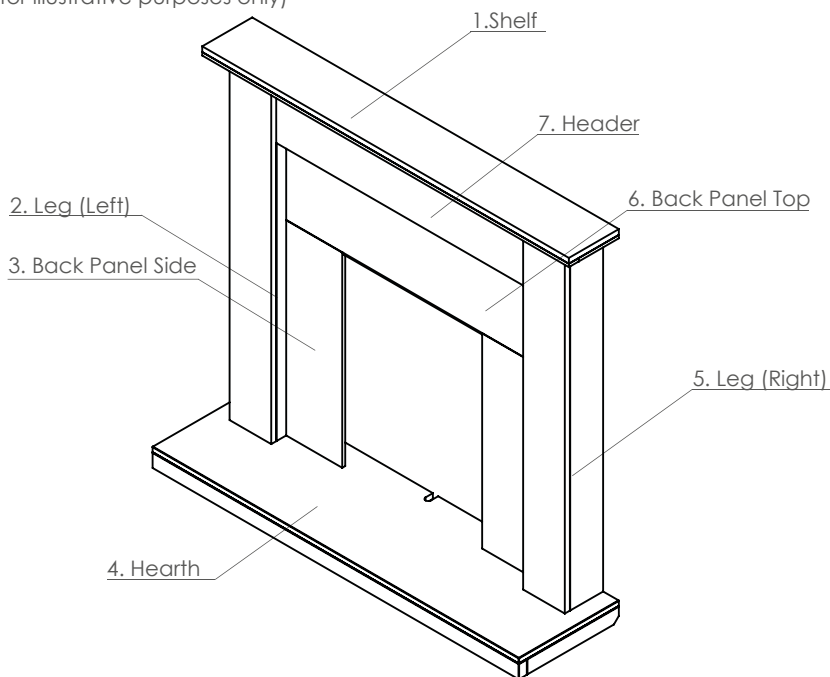
Cam lock must be fitted with the arrow facing towards the edge of the panel.

TOOLS REQUIRED

- Crosshead screw driver (Included)
- Pencil/Pen
- Drill & 6mm Drill Bit

IDENTIFICATION

(Image for illustrative purposes only)



FIXINGS PACK

4x Small Screw



10x Cam Lock



1x Screw Driver



2x Large Screw



2x Mirror Clips



10x Cam Dowel

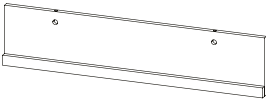
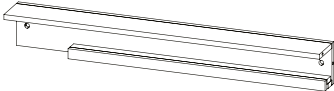
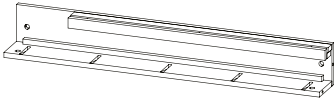


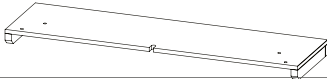
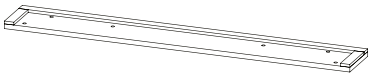


2x Wall Plugs

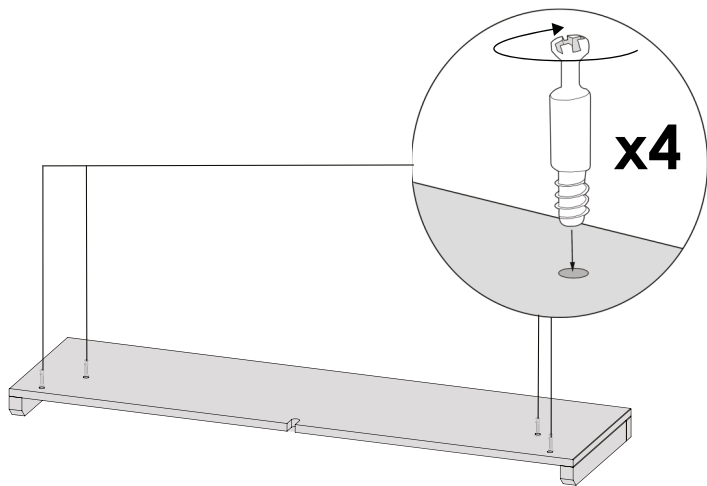


PARTS SUPPLIED

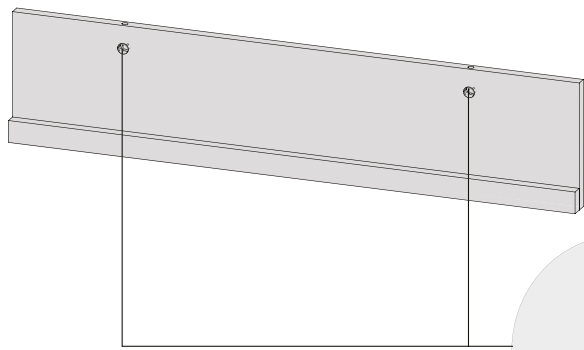
Please identify the parts listed below and ensure you have **ALL** the correct parts before assembling the unit.

Description	Illustration	Qty
Header		x1
Leg (Left)		x1
Leg (Right)		x1
Back Panel Side		x2
Back Panel Top		x1
Hearth		x1
Shelf		x1

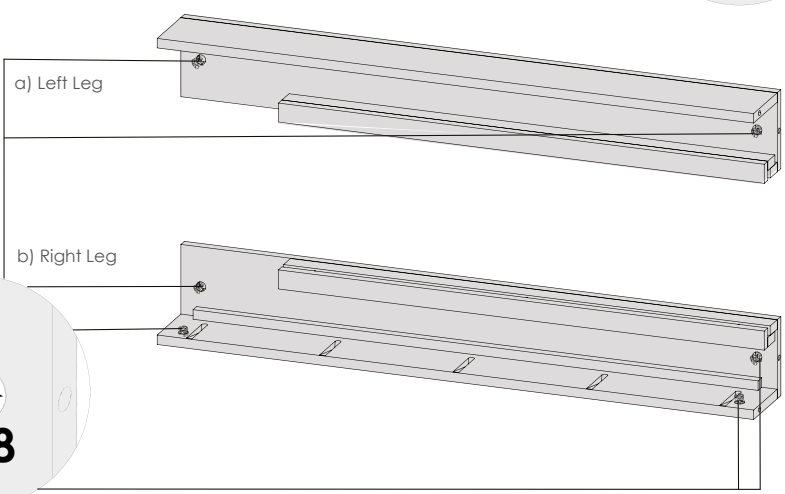
1.



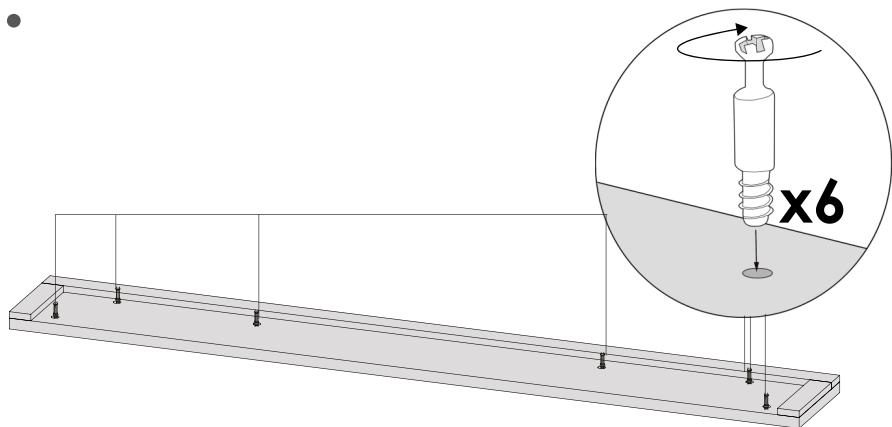
2.



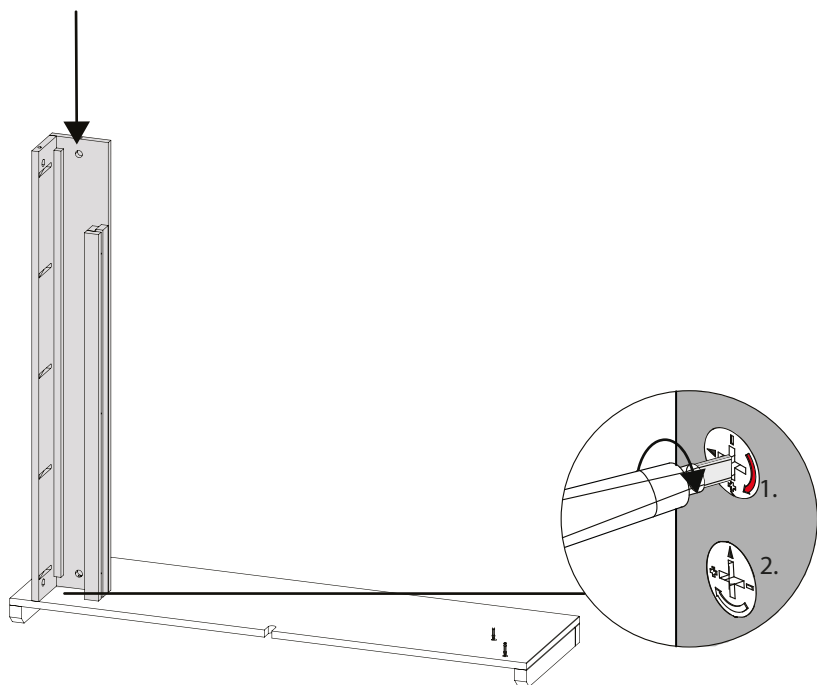
3.



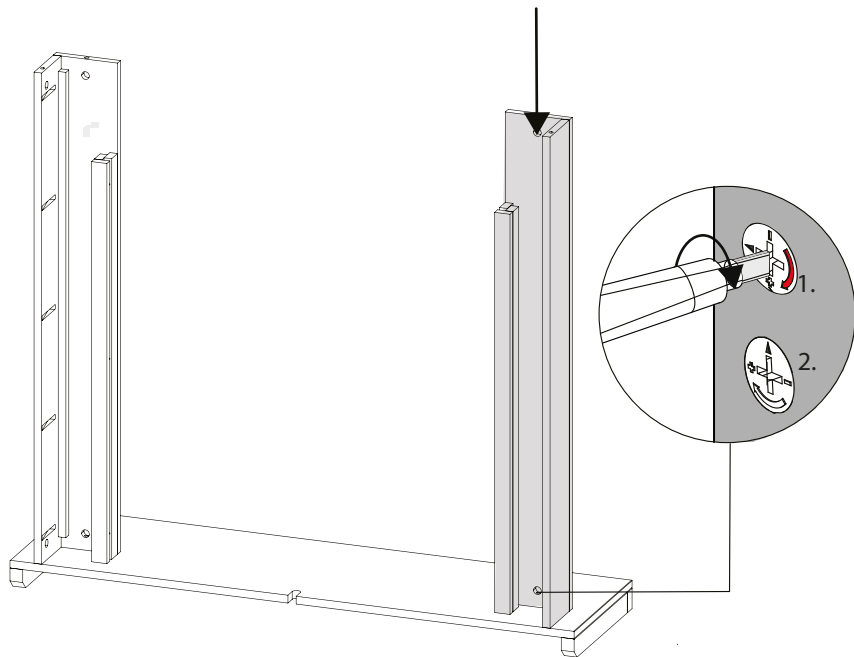
4.



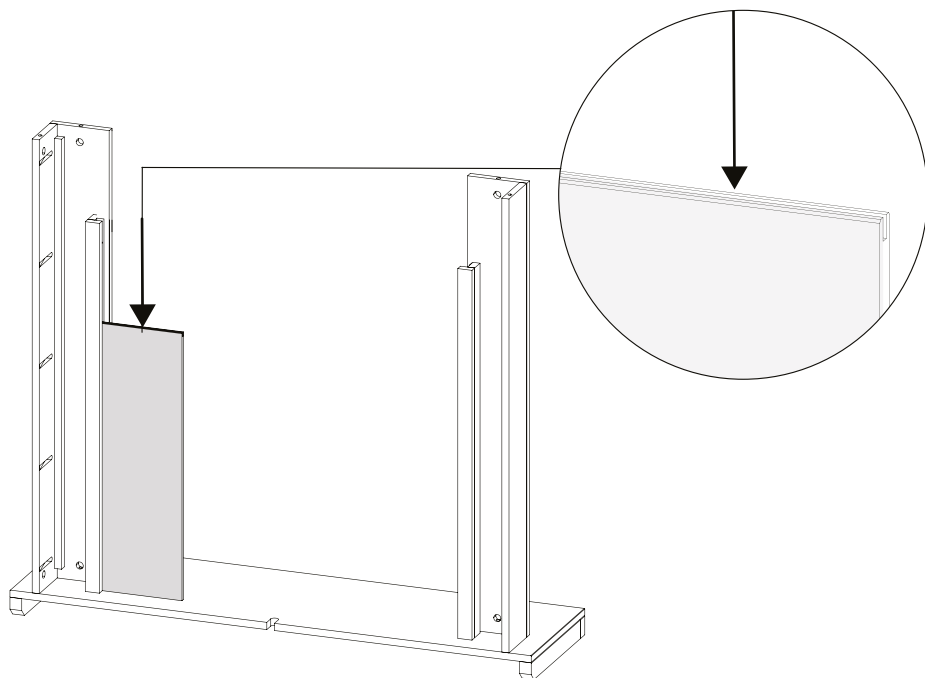
5.



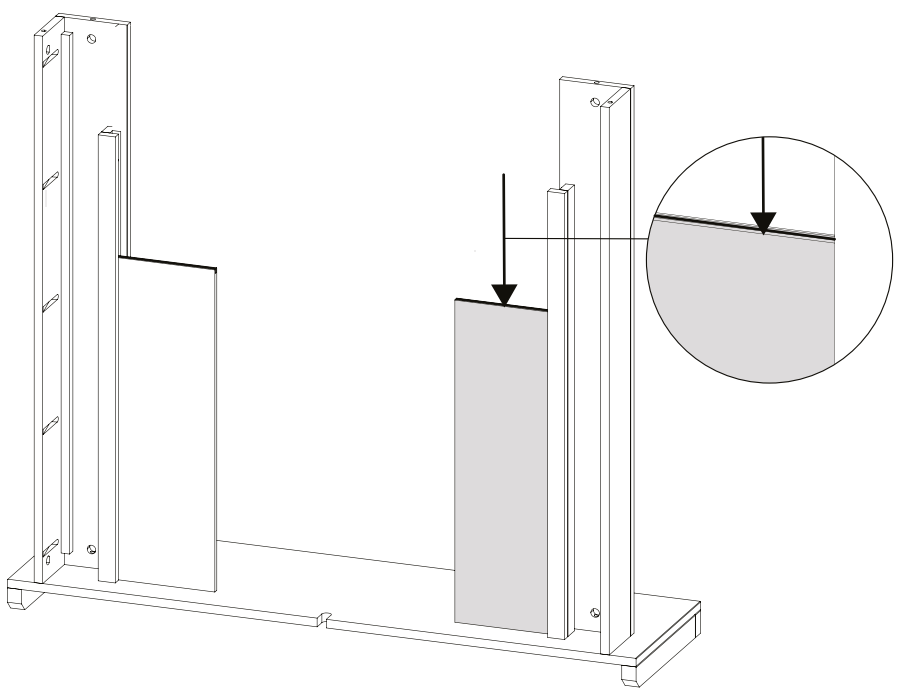
6.



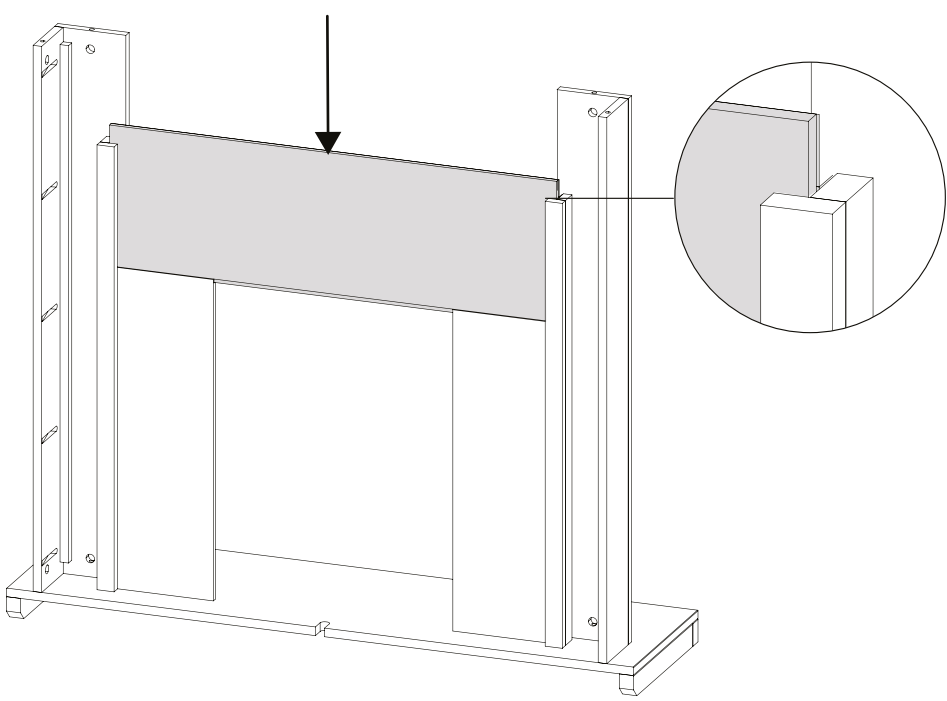
7.



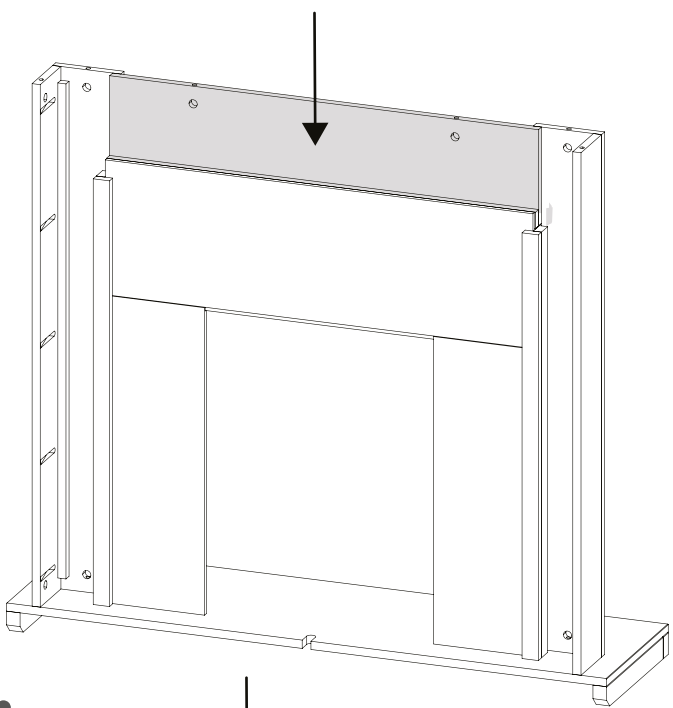
8.



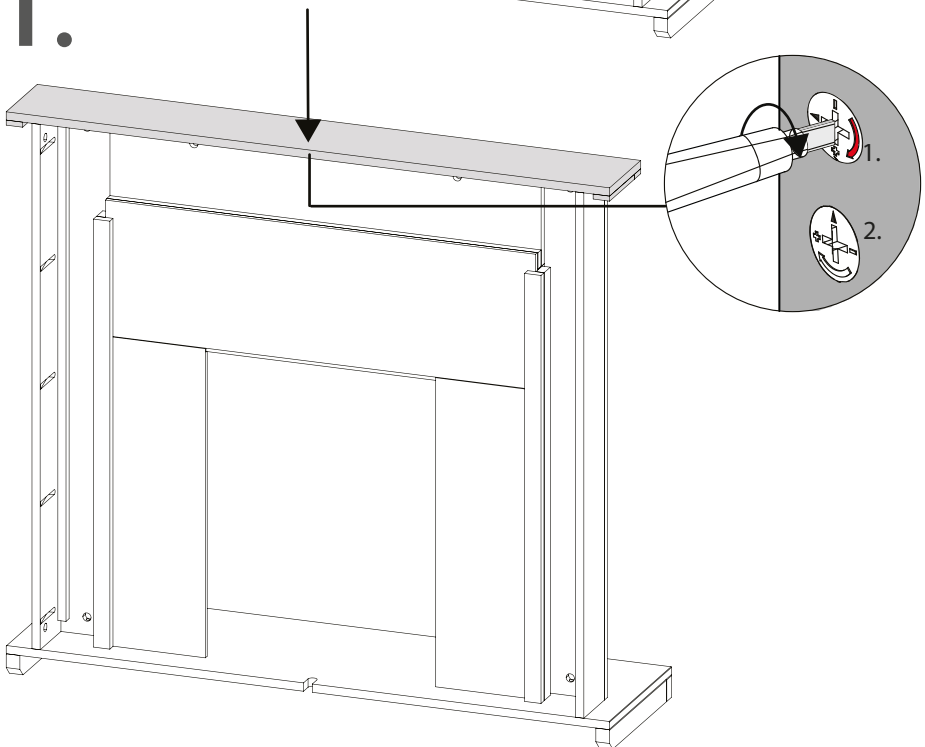
9.



10.



11.



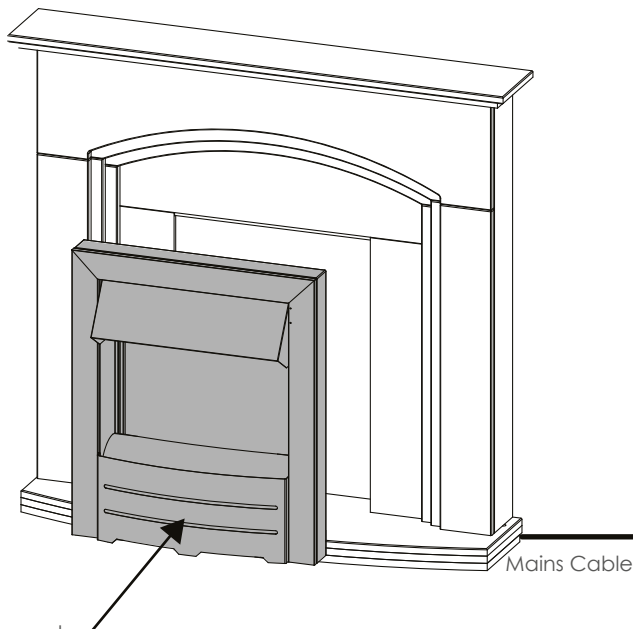
FITTING THE FIRE

When installing please refer to the fitting instructions supplied with the fire.

Please Note:

Ensure the mains cable of the fire exits the same side of the suite where the mains socket is located. Check the supply cable is not trapped under the fire such that it may cause it to be damaged.

For more information on safety and operation refer to the manual enclosed with the fire.

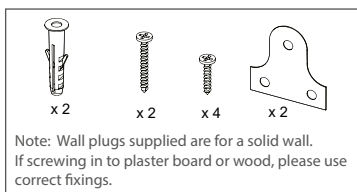


Note: Image for illustrative purposes only

INSTALLING the fireplace

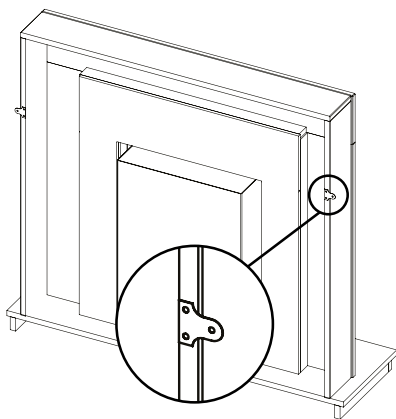
Fixing kit supplied with fireplace suites only

Note: Image for illustrative purposes only



Note: Wall plugs supplied are for a solid wall. If screwing in to plaster board or wood, please use correct fixings.

1. Fix the metal plate to the back of the fireplace as shown using the 4 x small screws supplied.
(It is recommended to drill a 2mm pilot hole to prevent the wood splitting.)
2. Position the fireplace to the wall and mark through the 2 remaining holes.
3. Remove the fireplace then drill 6mm diameter holes approximately 35mm deep. Insert the wall plugs.
4. Position the fireplace to the wall then screw through the plates in to the wall using the 2 x large screws provided.



CARE AND MAINTENANCE

- Painted surfaces can be cleaned using a damp cloth.
- Take care when cleaning un-treated surfaces, as it will absorb moisture until sealed with a lacquer, wax or other sealant.
- Avoid using any harsh or abrasive cleaners that may adversely affect the surface finish of the suite.

Note: Due to the nature of the materials used in the construction of the surround, an amount of moisture may be absorbed should the surround remain in contact with liquids for prolonged periods.
Please take care when cleaning carpets or flooring around the surround and clean up any spills immediately.

GUARANTEE


For your convenience, you are not required to complete a form and return it to us in order to validate your guarantee. However, please ensure that you retain your receipt which will act as both proof of purchase and a guarantee validation document. **We recommend that you attach your receipt to this documentation.**

Your product carries a 12 month guarantee from the date of original purchase (or as otherwise provided in writing at point of purchase). If your product fails to operate to its specification, due to faulty workmanship or materials during the guarantee period, we will either repair or replace the product. We will use our discretion to determine whether to offer a repair or provide a replacement. The product will not be covered by the guarantee if it has been misused, transformed, modified or altered in any way.

If your product fails within the guarantee period please ensure that you have all necessary documentation available including proof of purchase (receipt or invoice with serial number, location and date of purchase) in addition to all original undamaged packaging and leaflets etc. It is strongly recommended that you inspect your product carefully before it is used or installed. For full details of your product you should refer to the instruction manual which accompanies the product. You are strongly advised to read this manual carefully in its entirety and to retain it for future reference.

This product guarantee does not affect your statutory rights.

CUSTOMER HELPLINE

 +44 (0) 3300 882 069

 customer.support@firedupcorporation.com



www.firedupcorporation.com

Fired Up Corporation Ltd
Fired Up Buildings
HD1 3LF, UK

Fired Up Corporation
(Ireland) Ltd
71, D02 P593, Dublin