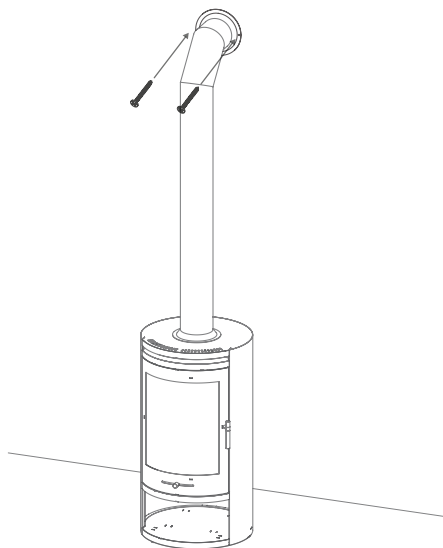


Base View

4. Reposition the stove pipe, then add two small dabs of silicone (not supplied) to the pipe base and fix into position.



5. Position the stove pipe as shown then screw through the mounting plate using the 2 x screws provided.

CUSTOMER HELPLINE

☎ 03300 882 069

@ customer.support@firedupcorporation.com



www.firedupcorporation.com

Fired Up Corporation Ltd
 Fired Up Buildings
 HD1 3LF, UK

Fired Up Corporation
 (Ireland) Ltd
 71, D02 P593, Dublin

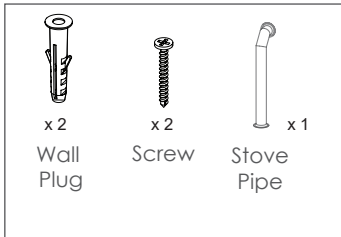
STOVE PIPE INSTALLATION

These instructions are for your safety. Please read through them thoroughly before use and retain for future reference. Failure to follow them could cause injury and/or property damage.

This stove pipe is designed for mounting to a **bio-ethanol or electric** stove and, for extra security, it **MUST** be fixed to a wall. Please ensure both the wall and floor are flat before installation. Always ensure there is enough room to place the stove and pipe.

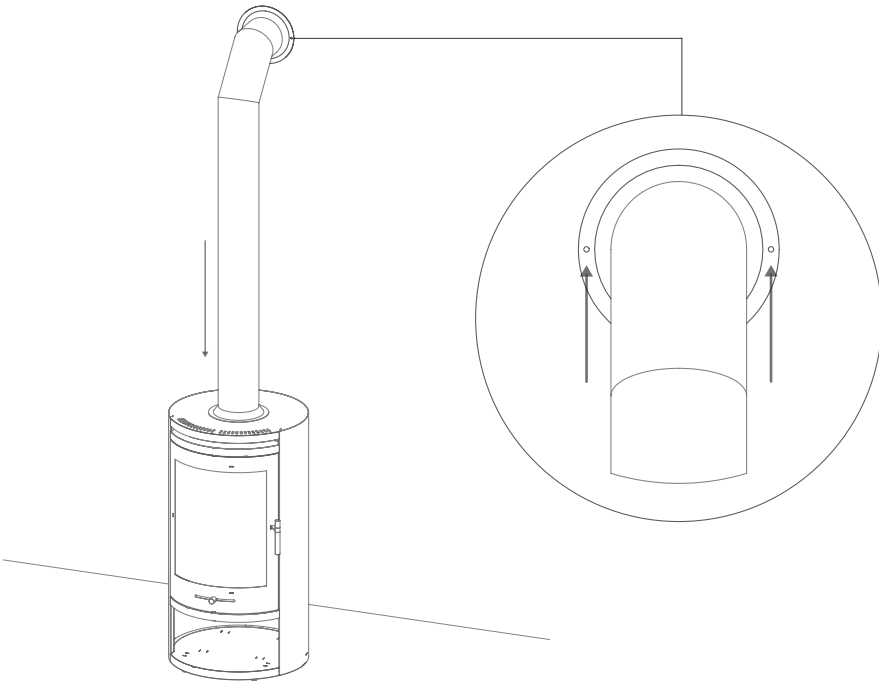
Check that the wall does not have any wiring or pipe work behind where you intend to drill.

Fittings Supplied:



Note: Wall plugs supplied are for a solid wall.
If screwing in to plaster board or wood, please use correct fixings.

Note : Stove shown for Illustration Purposes



1. Place the stove pipe base on top of the bio-ethanol stove.
2. Mark the position of the wall holes.
3. Remove the stove pipe and then drill 6mm diameter holes approximately 35mm deep. Insert the wall plugs.